

THE MAYA ROMANOFF® MIRROR COLLECTION

CALLISTO

Featuring Beadazzled Geode Flexible Surfacing Material®

Crafted by  APF MUNN MASTER FRAMEMAKERS



MAYA ROMANOFF®

EXTRAORDINARY SURFACING MATERIALS

T 1.773.465.6909 F 1.773.465.7089 customerservice@mayaromanoff.com www.mayaromanoff.com

THE MAYA ROMANOFF® MIRROR COLLECTION

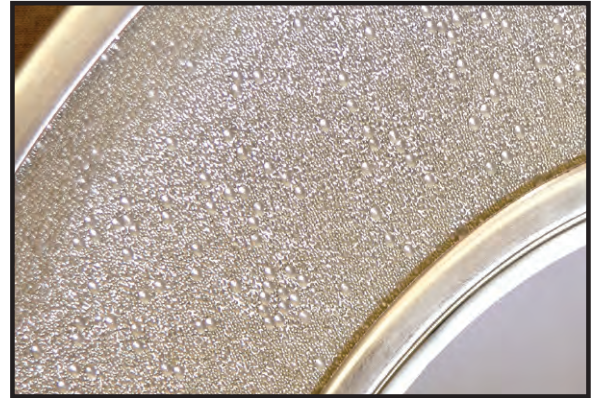
CALLISTO

Featuring Beadazzled Geode Flexible Surfacing Material®

Crafted by  APF MUNN MASTER FRAMEMAKERS

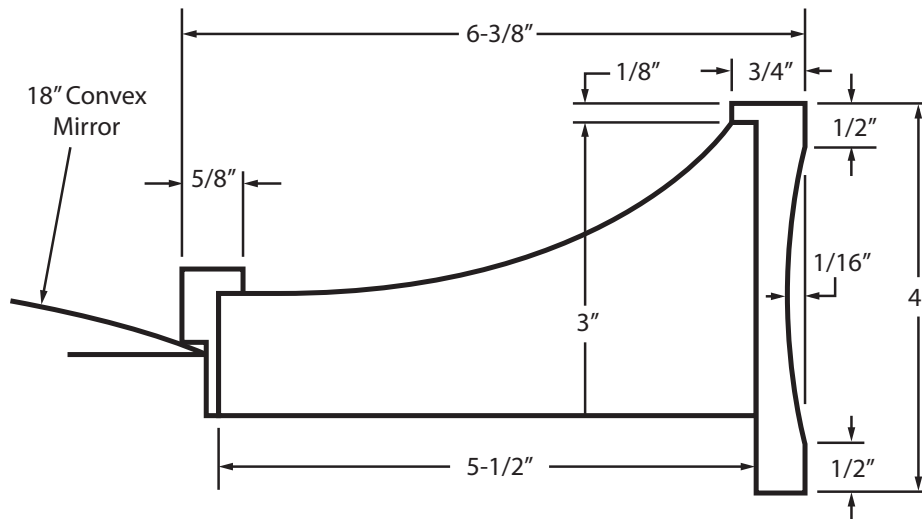
A round frame supporting a convex mirror, the Callisto is very much like the moon it's named after. Gilded in 12K white gold over blue clay, the profile sweeps down from its outer edge, across a wide panel and ends in a smaller circle of gold. The mirror sits deep within a panel of brilliant glass beads, giving the effect of an aura of light, surrounding the moon at center.

Available in a variety of finishes, the Callisto has both brilliance and depth, creating a powerful design statement.



Detail

Product Specifications



Product Name: Callisto

Standard Dimensions (OD): 30 1/4" Diameter, 4" Depth

Custom Dimensions: Up to 36" Convex Mirror

Profile Dimensions: Panel Width is Variable

Frame Finish Available: Any Leaf of Custom Color

Mirror Available: Any Standard

Surface Coverings Available: Beadazzled Flexible Glass Beads®

Dimensions (OD) shown: 30 1/4" Diameter, 4" Depth

Frame Finish Shown: Burnished 12 Karat White Gold / Blue Clay, Matte Side Panel

Materials Shown: MR-BG Over Silver Metal Leaf

Mirror Shown: Convex, 18" Diameter

Surface Covering Shown: MR-BG



MAYA ROMANOFF®

EXTRAORDINARY SURFACING MATERIALS

T 1.773.465.6909 F 1.773.465.7089 customerservice@mayaromanoff.com www.mayaromanoff.com