

# THE MAYA ROMANOFF® MIRROR COLLECTION

## LUNA

Crafted by   
APF MUNN MASTER FRAMEMAKERS

Featuring Beadazzled Geode Flexible Glass Bead Wallcovering®



# MAYA ROMANOFF®

EXTRAORDINARY SURFACING MATERIALS

T 1.773.465.6909 F 1.773.465.7089 [customerservice@mayaromanoff.com](mailto:customerservice@mayaromanoff.com) [www.mayaromanoff.com](http://www.mayaromanoff.com)

# THE MAYA ROMANOFF® MIRROR COLLECTION

## LUNA

Featuring Beadazzled Geode Flexible Glass Bead Wallcovering®

Crafted by **APF MUNN**  
APF MUNN MASTER FRAMEMAKERS

Exquisite *Swarovski* crystals are embedded into a field of clear mirror, creating a smooth and sparkling surface.

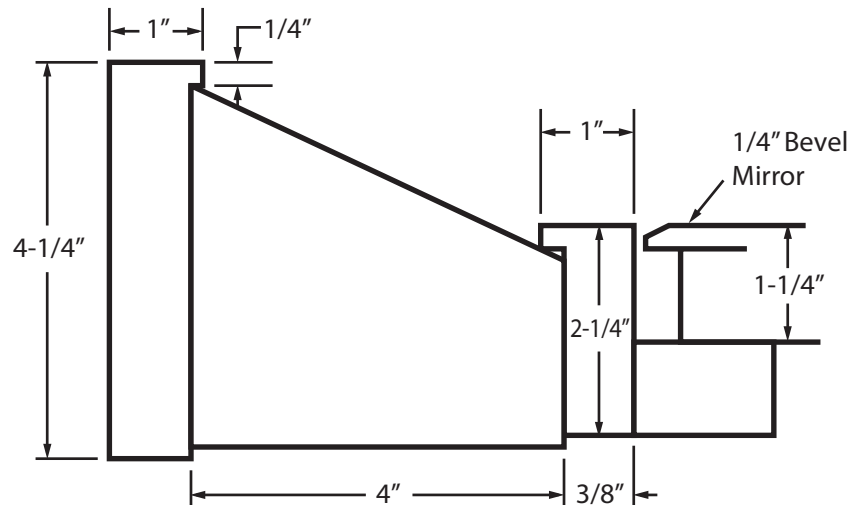
The Luna is a vision of celestial inspiration. Patterns taken from the stars of the zodiac, are transformed into crystals, and this striking design is completed with a gilded 16K gold frame surrounding a panel of luminous glass beads. Burnished to a high gloss, the frame face meets the glass bead panel which slopes steeply down toward the mirror at center. Gilded straps at each corner complete the design.

Seen here in 16K lemon gold, the frame has burnished tops and matte sides with a beaded panel of clear crystal, over silver metal leaf.



Detail

### Product Specifications



**Product Name:** Luna

**Standard Dimensions (OD):** 37 3/8" x 37 1/2" x 4 1/4"

**Custom Dimensions:** Any Size

**Profile Dimensions:** Panel Width is Variable

**Frame Finish Available:** Any Leaf of Custom Color

**Mirror Available:** Any Standard

**Surface Coverings Available:** Most Maya Romanoff

**Dimensions (OD) shown:** 37 3/8" x 37 1/2" x 4 1/4"

**Frame Finish Shown:** Burnished 16 Karat Gold / Blue Clay

**Materials Shown:** MR-BG (GEODE) Over Silver Metal Leaf

**Mirror Shown:** 1/4" Bevel, Embedded *Swarovski* Crystals

**Surface Covering Shown:** MR-BG-1554



# MAYA ROMANOFF®

EXTRAORDINARY SURFACING MATERIALS

T 1.773.465.6909 F 1.773.465.7089 customerservice@mayaromanoff.com www.mayaromanoff.com